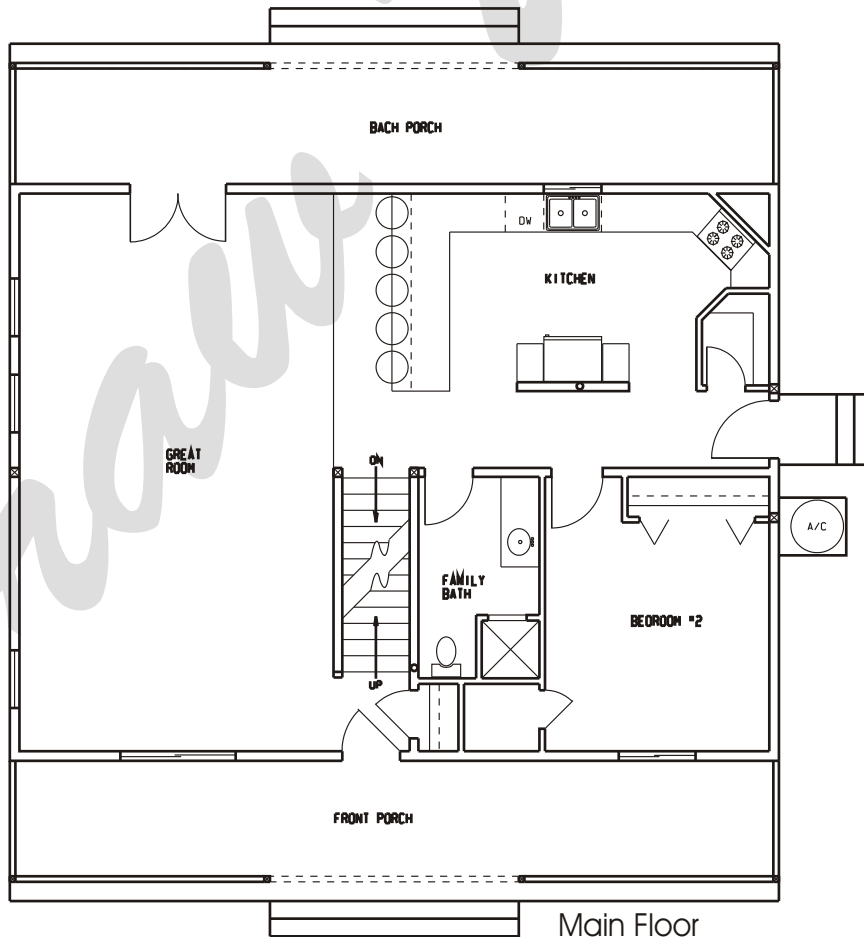
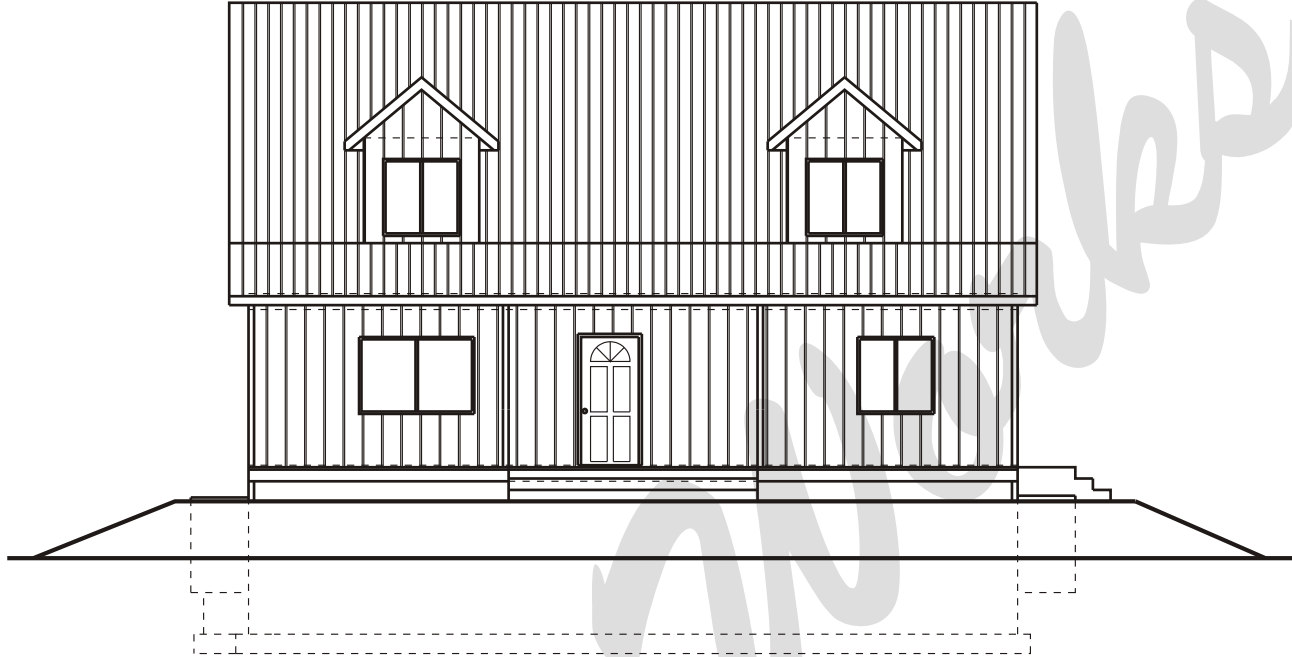


# Draw Works

P.O. Box 3294 St. George, Utah 84771 (435)634-1450

WWW.TheBestHomePlans.com



## Plan: Eleanor

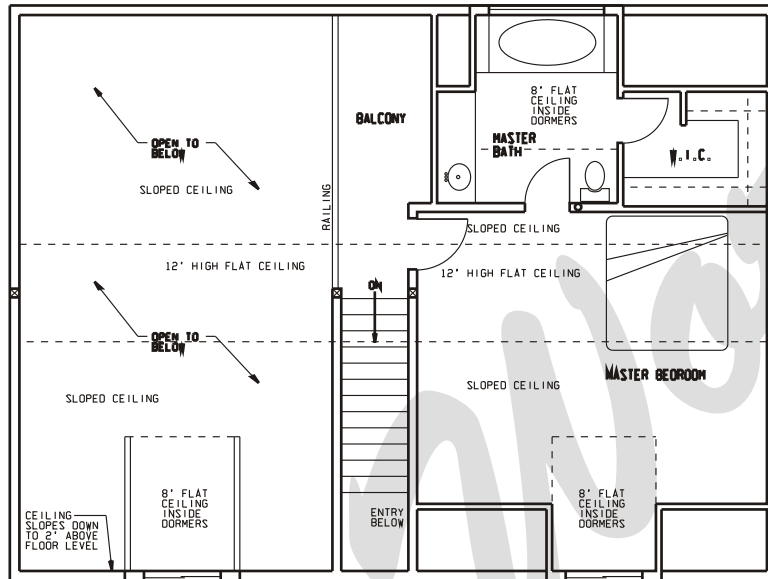
Square Feet: 1,200 Main 1,200 Basement 1,200 Upstairs  
Overall Dimensions: 40'-0" X 44'-0"

This plan is copyrighted by Draw Works and is protected under the copyright laws of the United States and may not be copied in any form. Draw Works will pursue prosecution of any violations.

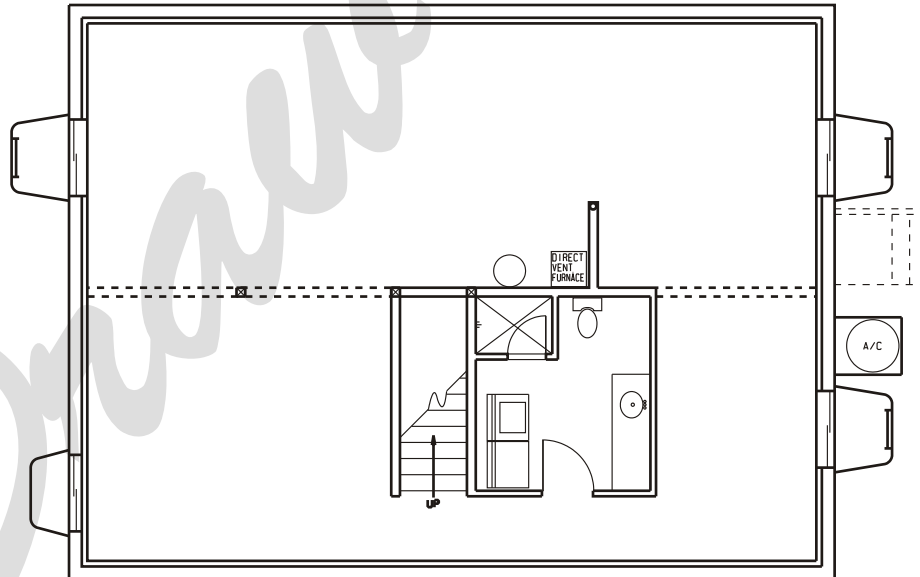
# Draw Works

P.O. Box 3294 St. George, Utah 84771 (435)634-1450

WWW.TheBestHomePlans.com



Upper Floor



Basement

## Plan: Eleanor

Square Feet: 1,200 Main 1,200 Basement 1,200 Upstairs

Overall Dimensions: 40'-0" X 44'-0"

This plan is copyrighted by Draw Works and is protected under the copyright laws of the United States and may not be copied in any form. Draw Works will pursue prosecution of any violations.